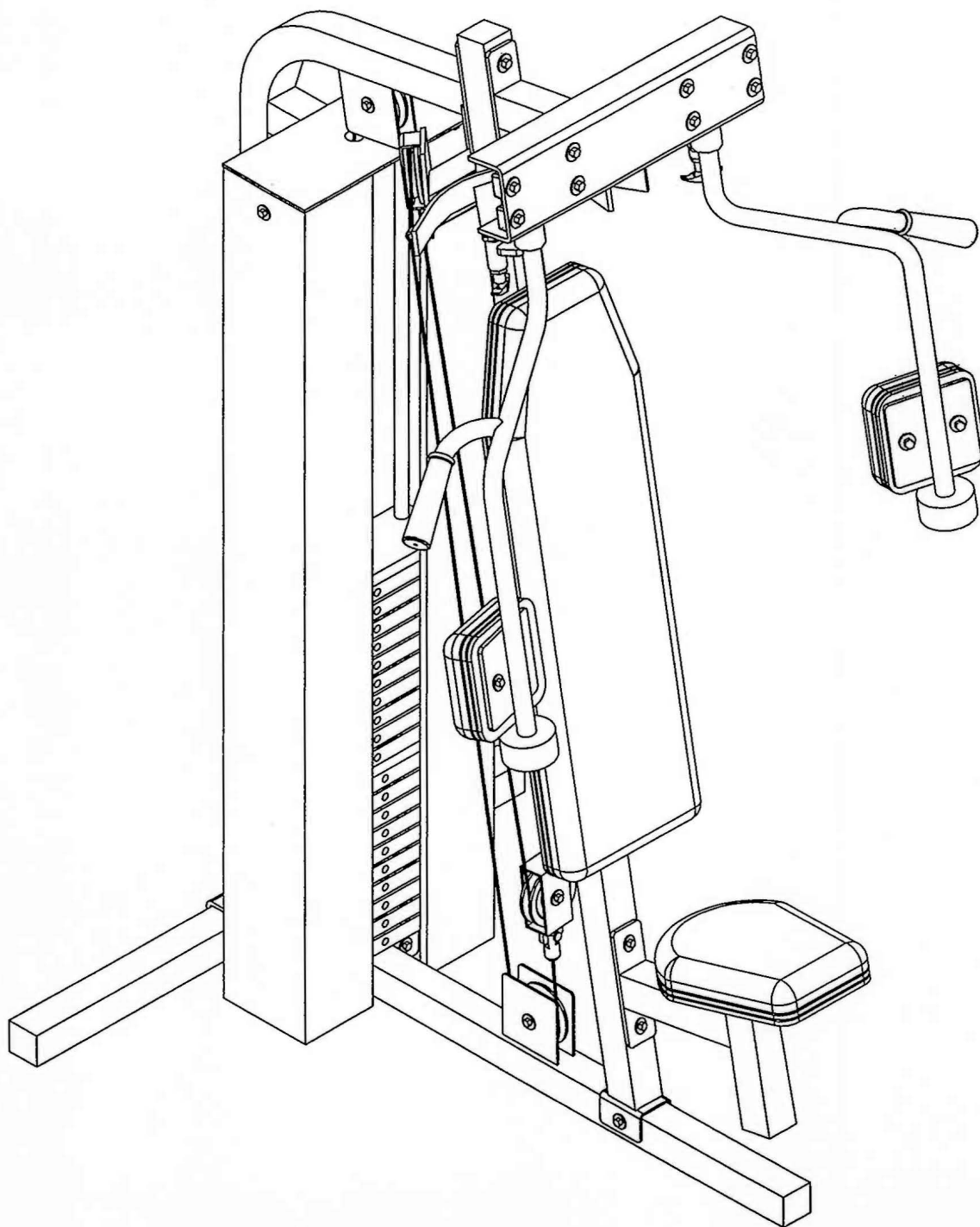


HOIST[®]
FITNESS SYSTEMS

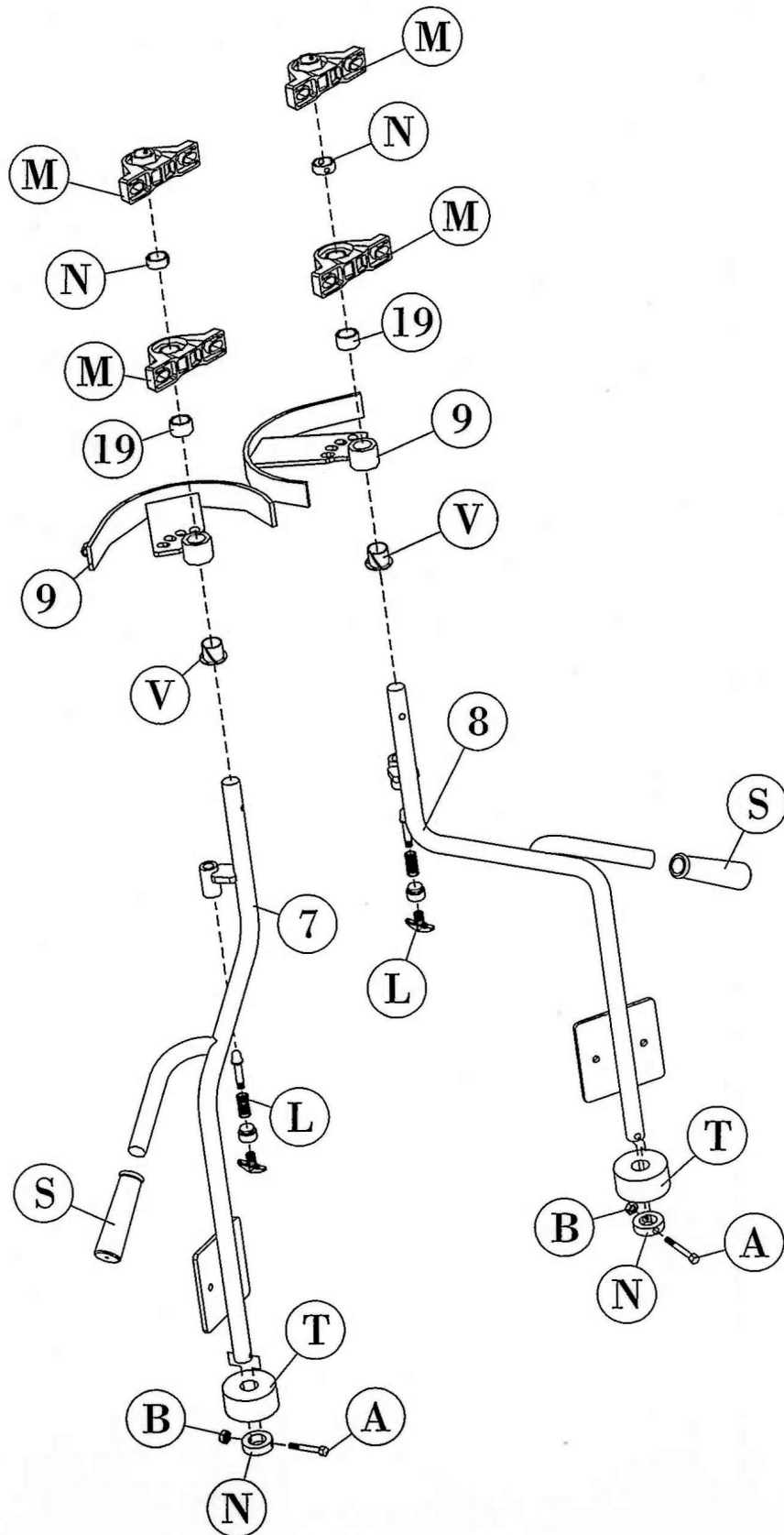
S302

PECTORAL FLY



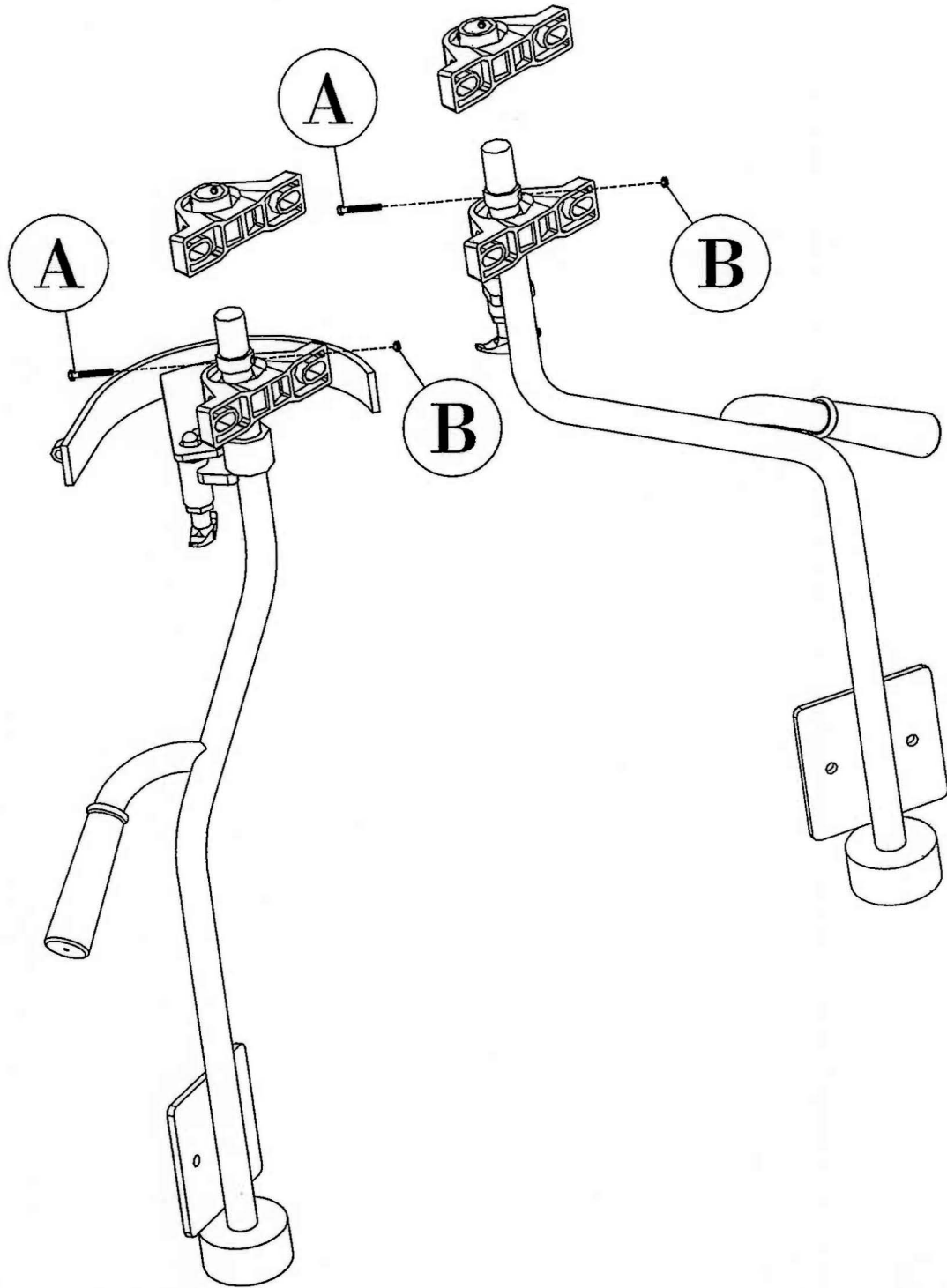
S302

PECTORAL FLY



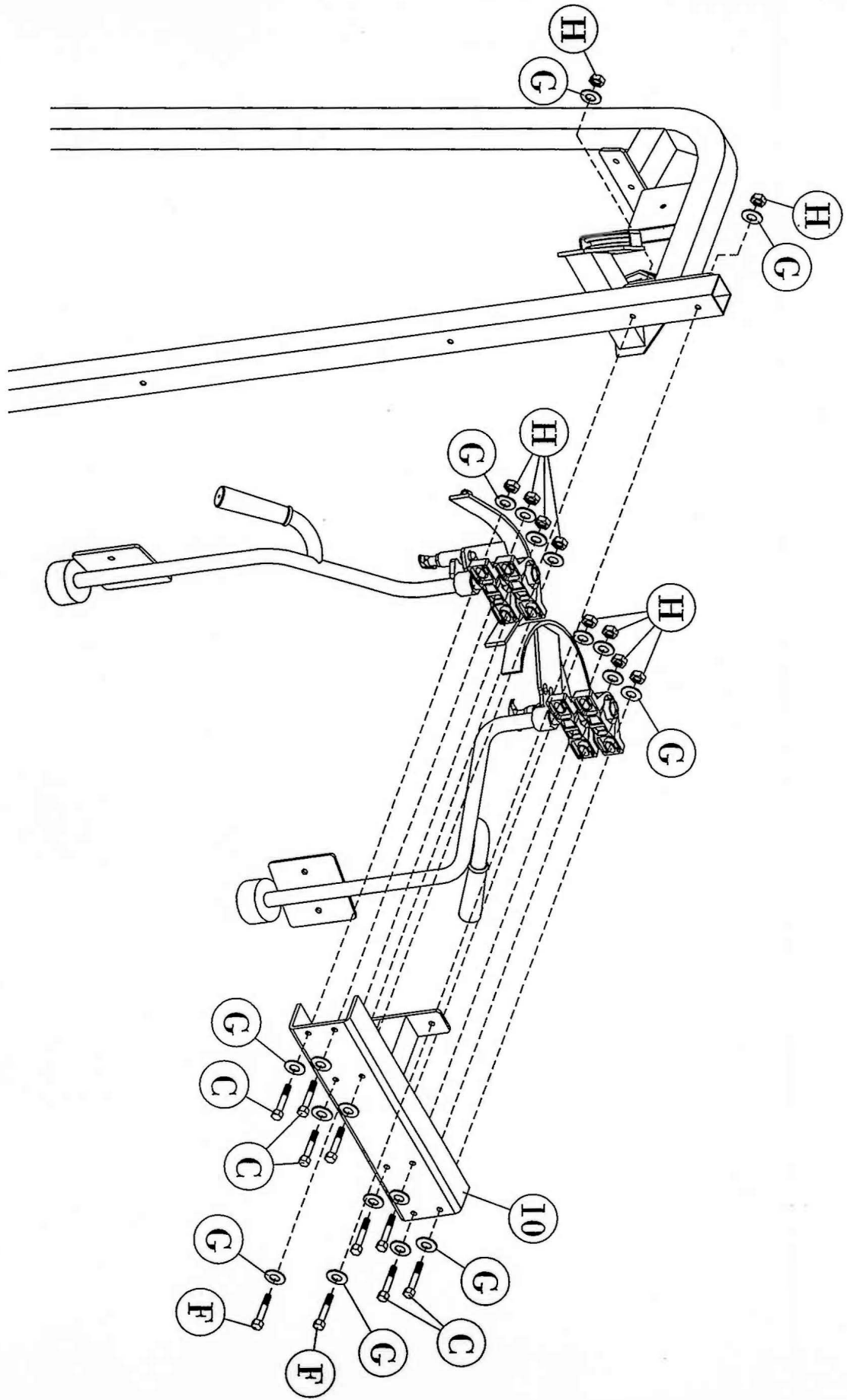
S302

PECTORAL FLY



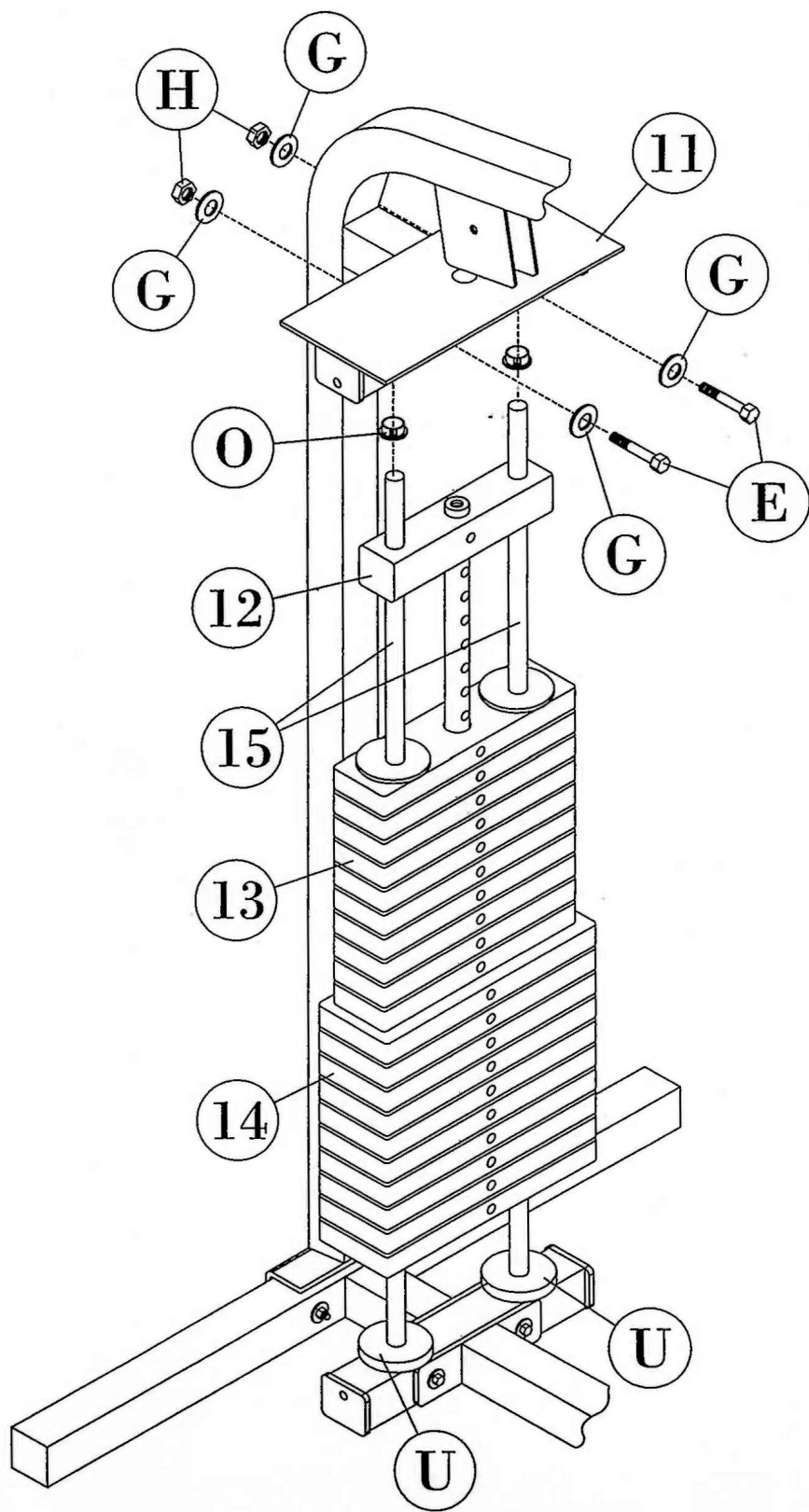
S302

PECTORAL FLY



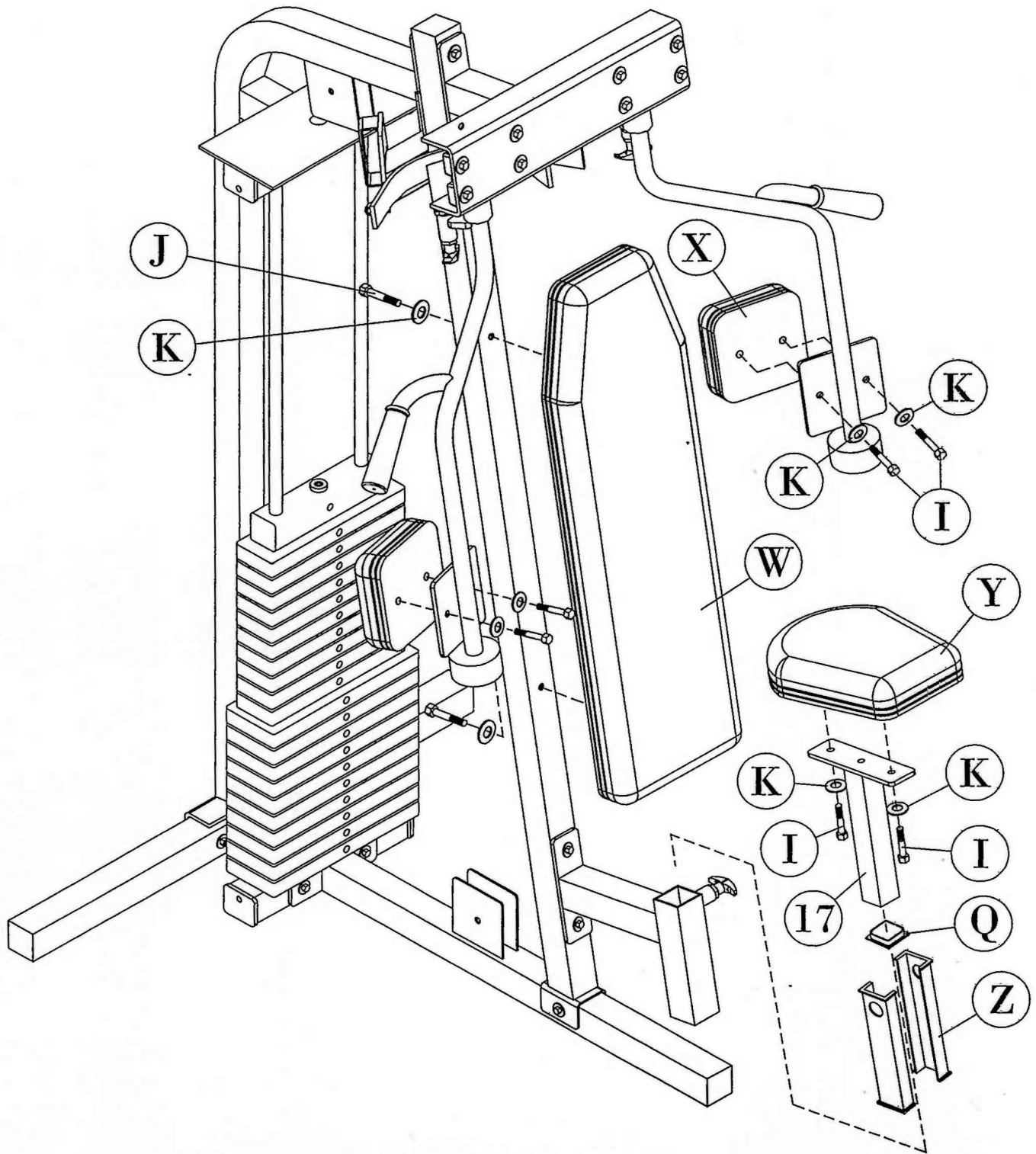
S302

PECTORAL FLY



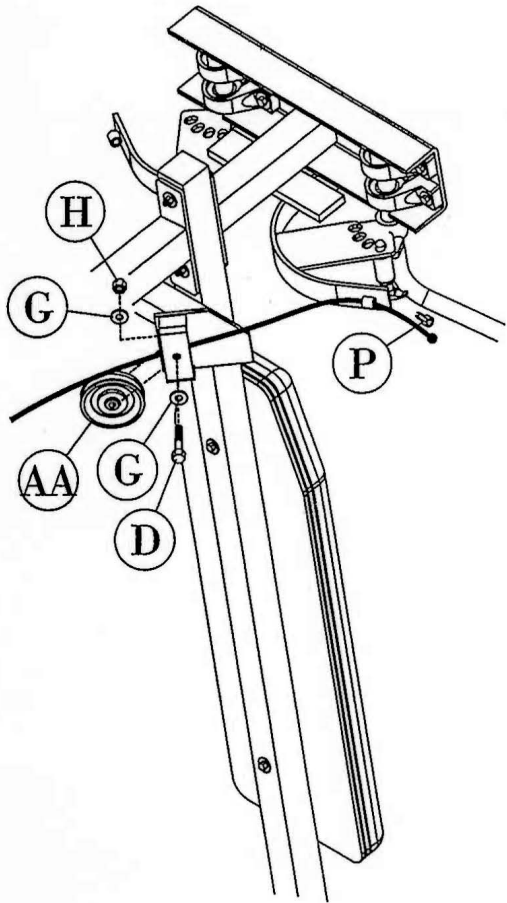
S302

PECTORAL FLY

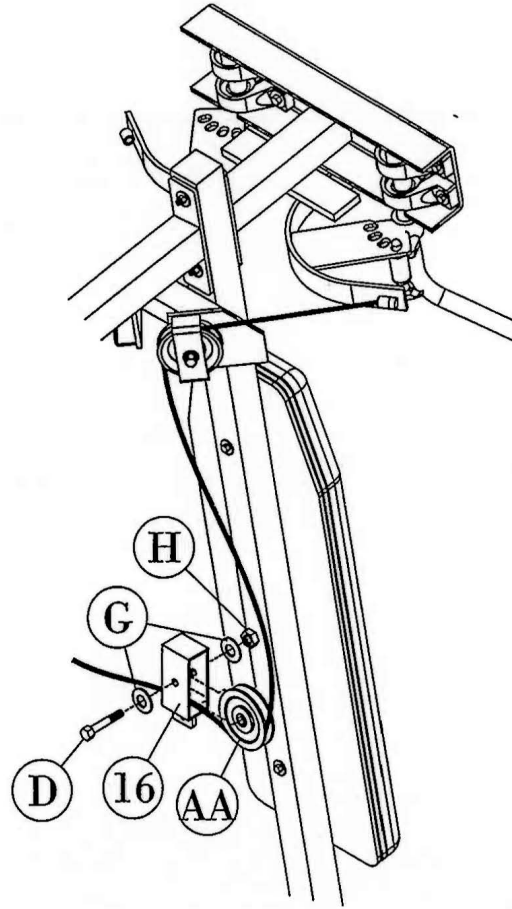


S302

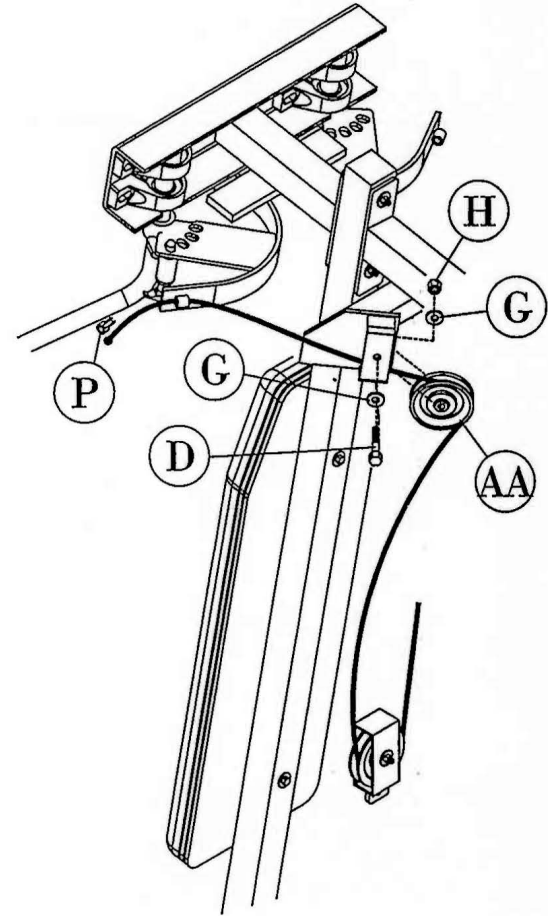
PECTORAL FLY



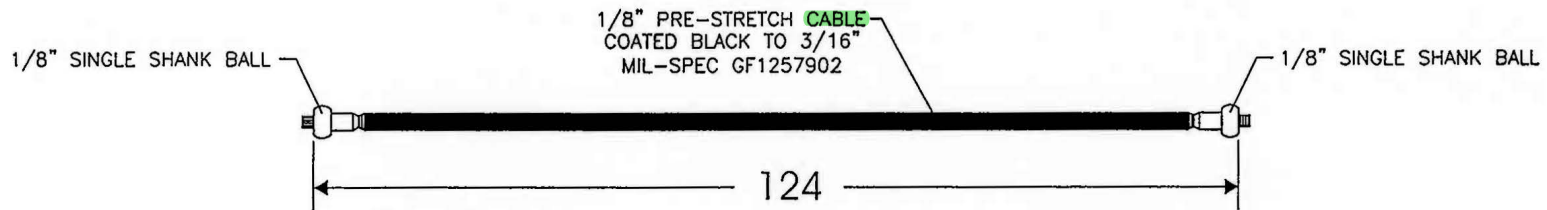
STEP 1



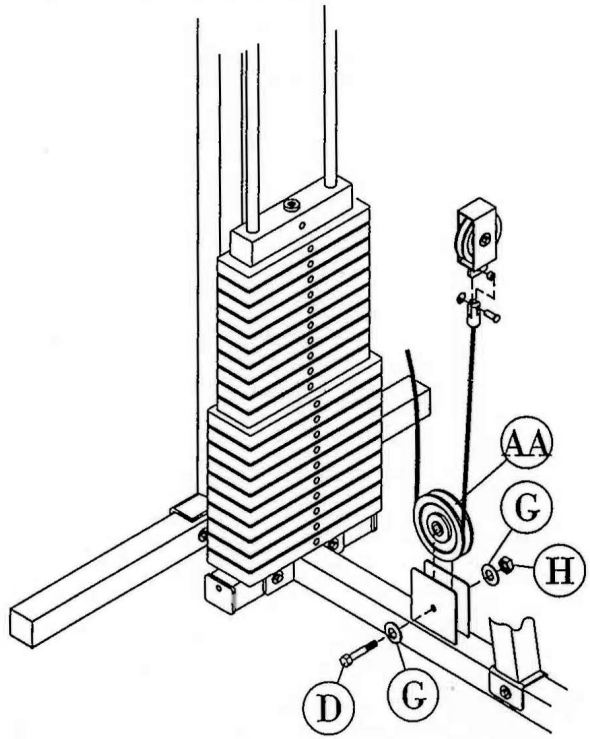
STEP 2



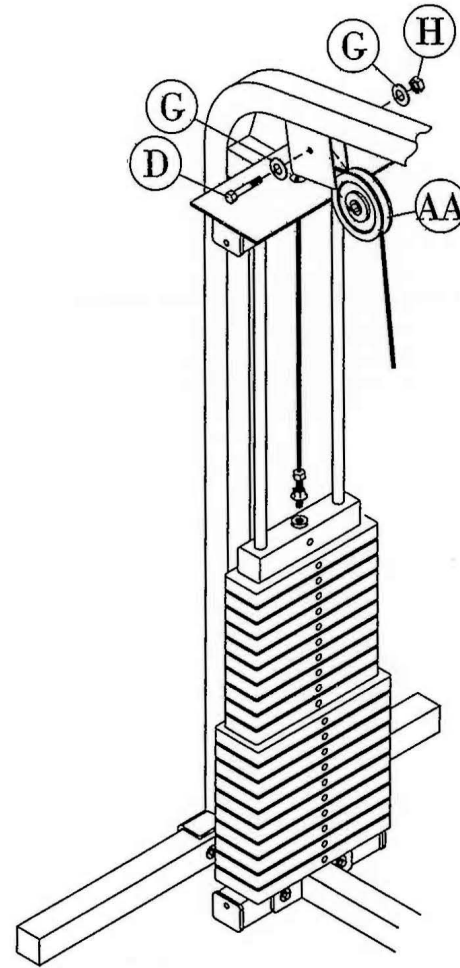
STEP 3



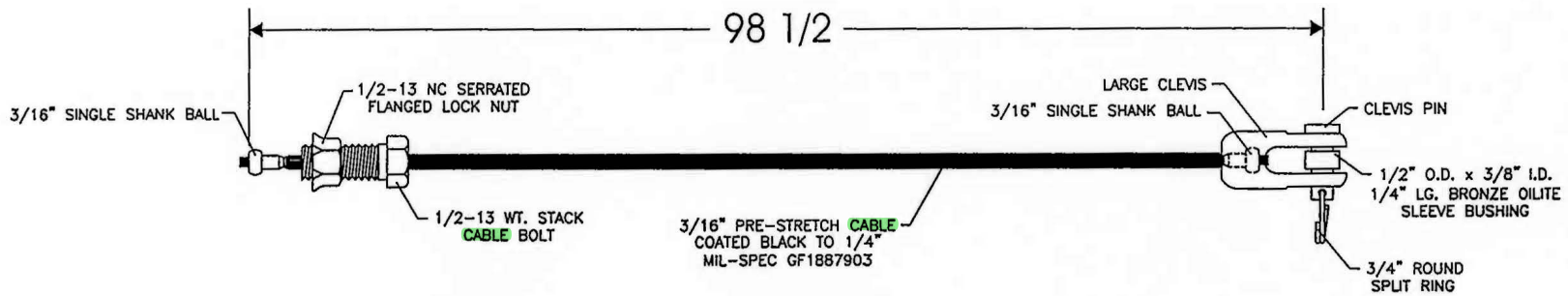
S302 PECTORAL FLY



STEP 4

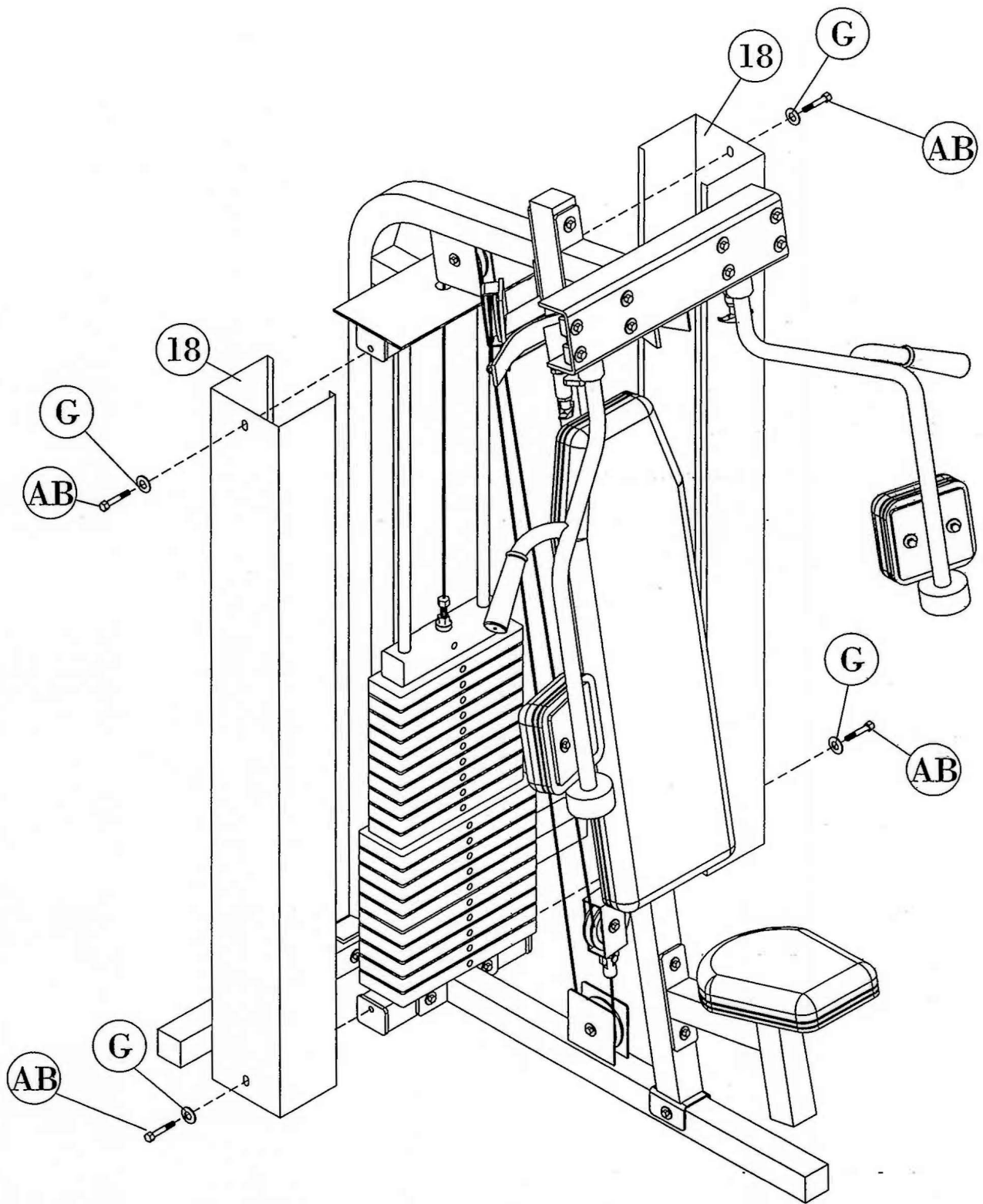


STEP 5



S302

PECTORAL FLY



3502 HARDWARE LIST

Key No.	Qty.	Part Number	Description
A	4	11-HEX-142	1/4" x 2" Hex Bolt
B	4	12-LOK-14	1/4" Lock Nut
C	8	11-HEX-38112	3/8" x 1 1/2" Hex Bolt
D	5	11-HEX-382	3/8" x 2" Hex Bolt
E	7	11-HEX-38234	3/8" x 2 3/4" Hex Bolt
F	4	11-HEX-383	3/8" x 3" Hex Bolt
G	50	13-FLT-38	3/8" Flat Washer
H	24	12-LOK-38	3/8" Lock Nut
I	6	11-HEX-516114	5/16" x 1 1/4" Hex Bolt
J	2	11-HEX-5163	5/16" x 3" Hex Bolt
K	8	13-FLT-516	5/16" Flat Washer
L	3	26-STD-SM128	1/2" Pull Pin (Short)
M	4	14-BRG-RAD1PILP	Pillow Block Bearing
N	4	14-SCC-1	1" Shaft Collar
O	2	14-BSH-GRD34	3/4" Guide Rod Snap Bushing
P	2	26-STD-SM200	Quick Release Cable Lock
Q	1	16-CAP-112112	1 1/2" x 1 1/2" End Cap
R	4	16-CAP-22	2" x 2" End Cap
S	2	19-GRP-78514T	Tapered Grip
T	2	19-WSB-1123	1 1/2" Rubber Donut
U	2	19-WSB-123	1/2" Rubber Donut
V	2	14-BRG-NYLI	Nyliner Bushing
W	1	26-STD-SU1034	10" x 34" Tapered Back Pad
X	2	26-STD-SU66	6" x 6" Arm Pad
Y	1	26-STD-SU911	Shell Seat Pad
Z	2	26-STD-PLAS112	Easy Glide Seat Sleeve
AA	5	18-PUL-312	3 1/2" Pulley
AB	4	11-HEX-381	3/8" x 1" Hex Bolt